

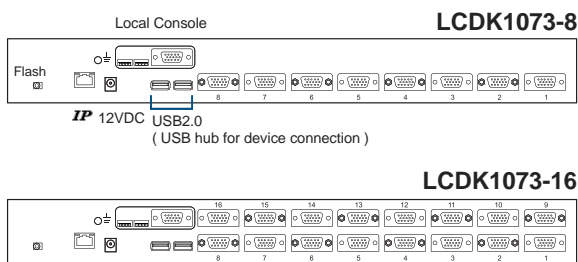


USB Hub DB-15 IP KVM Benefits

- ▶ VGA-USB DB-15 KVM with either 8 or 16 ports in 1U
- ▶ IP remote access across the world wide web
- ▶ 2 x USB 2.0 port sharing USB peripheral for computers
- ▶ Mix USB & SUN with Multi-Platform switch capability
- ▶ Support resolution up to 1920 x 1080
- ▶ SUN 1152 x 900 resolution compatible
- ▶ Cost efficient remote server management between national / global sites

Switch Features & Options

- Multi lingual on screen display menu
- Control hardware and software systems from a remote location without physically being at the server's location
- Advanced user profiles and configurable OSD hot key combinations
- DC power options : 12V / 24V / 48V / 110 ~ 125V



Ordering Information

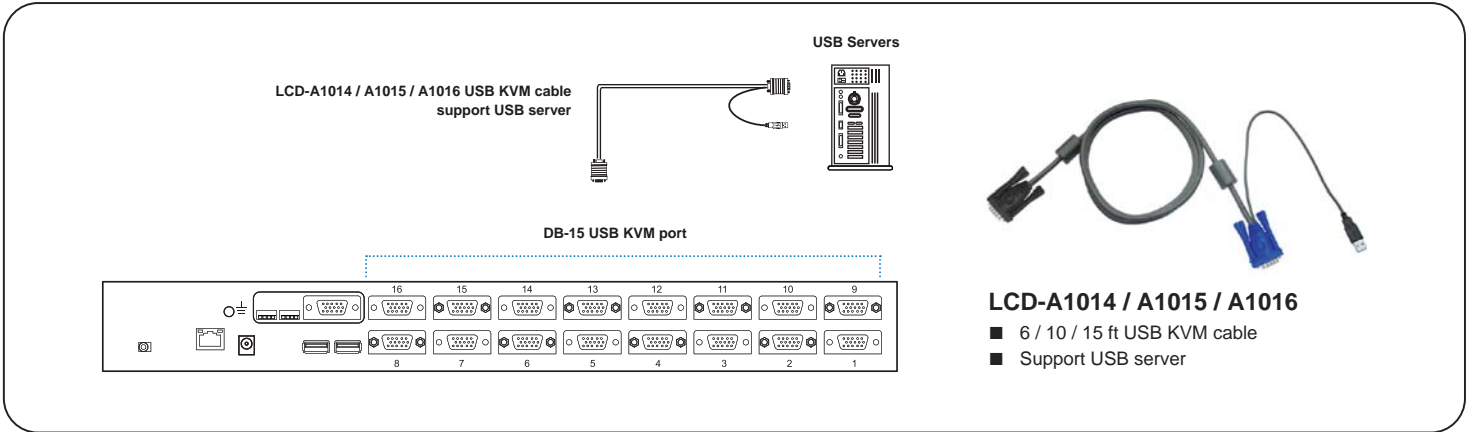
Console	Local	Remote	IP	8-port	16-port
IP	1	0	1	LCDK1073-8	LCDK1073-16

KVM Specification

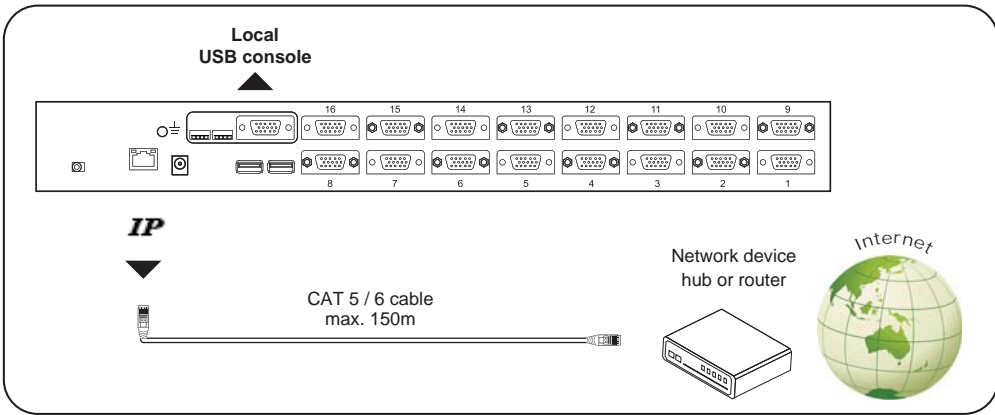
<p>■ KVM Port</p> <p>Number of ports: 8 or 16</p> <p>Connector: DB-15 combo connector</p> <p>Connectivity: Combo 2-in-1 VGA + USB KVM cable, 6, 10 or 15 feet</p>	
<p>■ Local Console</p> <p>Graphic Connector: 1 x DB-15</p> <p>Resolution: Up to 1920 x 1200</p> <p>Input device: 2 x USB type A for keyboard & mouse</p> <p>USB hub: 2 x USB type A for sharing other peripheral devices among the computers</p>	
<p>■ IP Remote Console</p> <p>Connector: RJ45 Ethernet</p> <p>User management: 15-user login, 1 x active user</p> <p>Network protocol: DHCP / BOOTP / DNS</p> <p>Security: SSL v3, RSA, AES, HTTP / HTTPs, CSR</p> <p>Resolution: Up to 1600 x 1200</p> <p>Browser: IE, Firefox, Safari, Netscape</p>	
<p>■ Compatibility</p> <p>Hardware : HP / IBM / Dell PC, Server and Blade Server SUN / Mac</p> <p>OS Support : Windows / Linux / Unix / Mac OS</p>	

<p>■ Power</p> <p>Input: Auto sensing 100 to 240VAC, 50 / 60 Hz</p> <p>Option DC: 12V / 24V / 48V / 110 ~ 125V DC input</p> <p>Consumption: Max. 18W</p>	
<p>■ Regulatory</p> <p>Safety: FCC & CE certified</p> <p>Environment: RoHS2 & REACH compliant</p>	
<p>■ Environmental</p> <p>Operating temperature : 0 to 55°C degree</p> <p>Storage temperature : -20 to 60°C degree</p> <p>Operating humidity : 20~90%, non-condensing</p> <p>Storage humidity : 5 ~90%, non-condensing</p> <p>Operating altitude : 16,000 ft</p> <p>Non-operating altitude : 40,000 ft</p> <p>Shock : 10G acceleration (11ms duration)</p> <p>Vibration : 5~500Hz 1G RMS random vibration</p>	
<p>■ Product Information</p> <p>Dimension (W x D x H) : 443 x 171 x 44 mm / 17.4 x 6.7 x 1.73 inch</p> <p>Net weight : 3 kg / 6.5 lb</p>	

KVM port connection

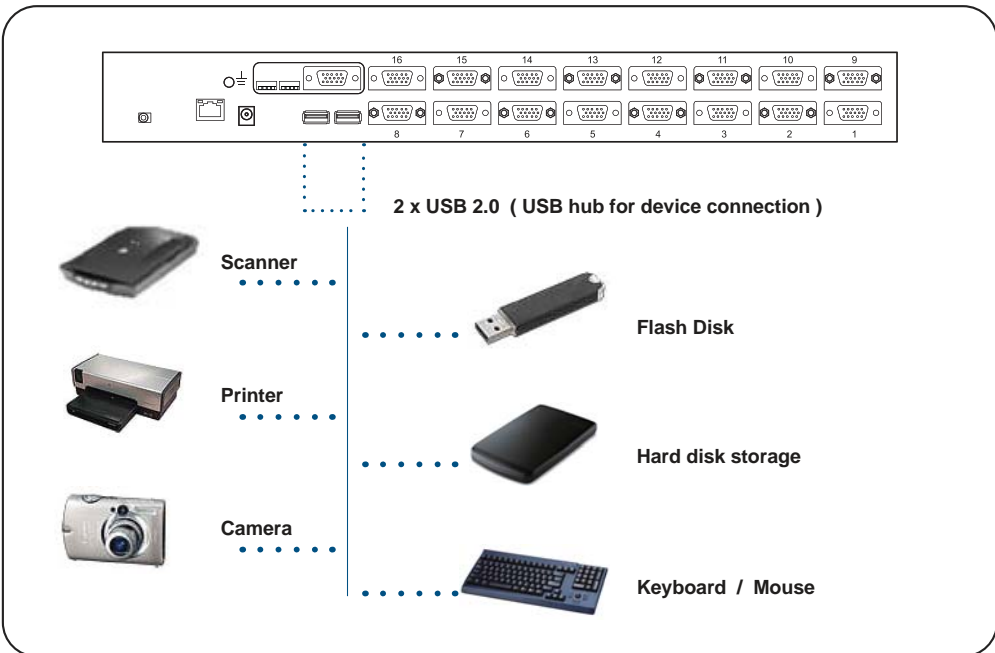


IP & Local console connection



IP Console Resolution Support	Frequency (Hz)
1600 x 1200	60
1280 x 1024	60
1280 x 960	60
1152 x 864	75
1024 x 768	60 / 70 / 75

Built-in USB Hub Usage & Connection



For detailed product specifications and options, please download the user manual from product page.